

# SPECIFICATION

**COMMERCIALLY AVAILABLE**

ITEM: MONOLITHIC CRYSTAL FILTER

PART NUMBER: M10DD4

RoHS

ISSUED / REVISION	ENGINEER APPROVED	DOCUMENT CHECKED	DRAFTSMAN
8/22/11 PM	10/05/2011 TFG		10/05/2011 GL

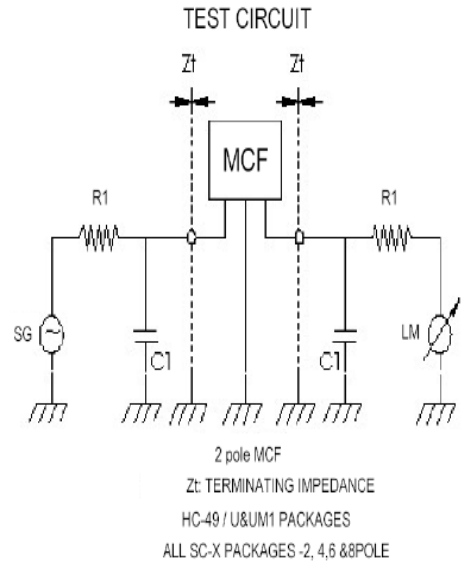
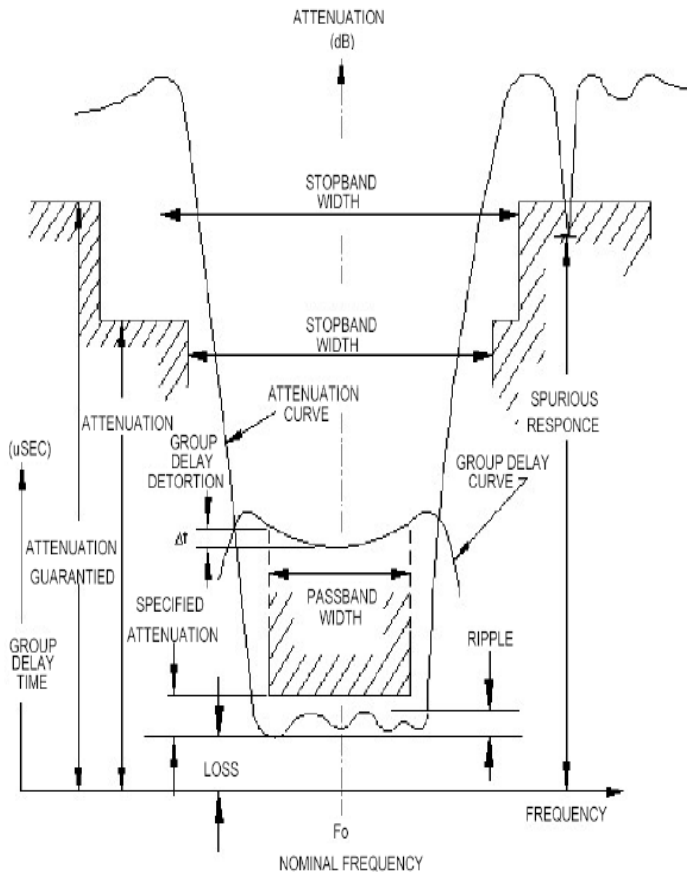
**FILTRONETICS Inc**

1. Part Number: M10DD4

2. Electrical Specifications:

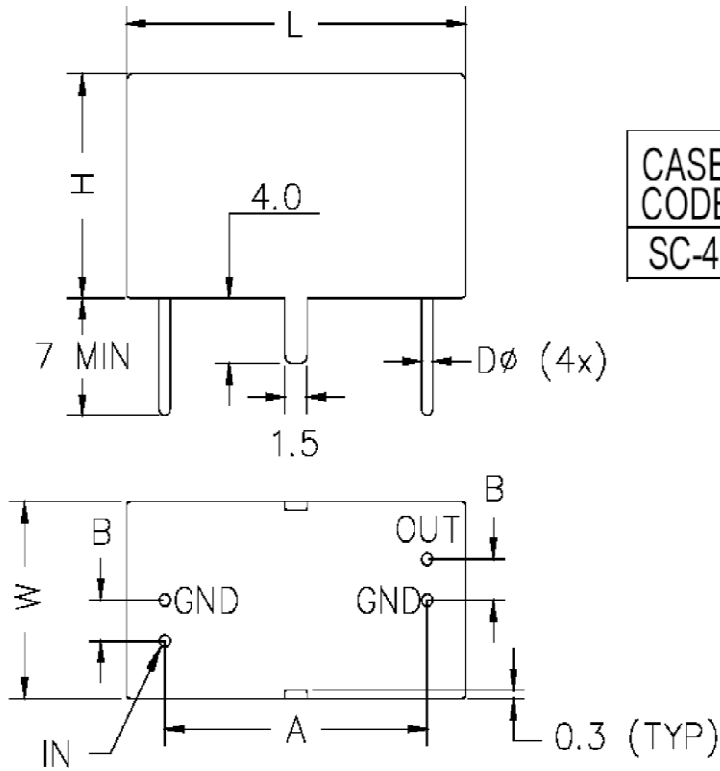
Filter Type	Monolithic Xtal BP Filter
Center Frequency (Fo)	10.7 MHz
6 dB Band Width:	±6 KHz Min
Insertion Loss:	4.0 dB Max
Pass Band Ripple:	2.0 dB Max
65 dB Band Width:	±14 KHz Max
Ultimate Attenuation: (Fo ± KHz) 20.0 to 300	90 dB Min
Input Power	0 dBm Max
Impedance:	2800Ω // 1.0pf
Poles:	8
RoHS Compliant:	Yes

MEASUREMENT DEFINITIONS



3. Mechanical Package Style:

CASE SC—\_



CASE CODE	DIMENSIONS (mm)					
	L	W	H	A	B	D
SC-4	18.5	12.0	15.0	13.4	2.5	0.43

FIGURE M3 CASE SC