

SPECIFICATION

COMMERCIALLY AVAILABLE

ITEM: MONOLITHIC CRYSTAL FILTER
PART NUMBER: M10AC3

RoHs

ISSUED / REVISION	ENGINEER APPROVED	DOCUMENT CHECKED	DRAFTSMAN
2/24/10XX	10/05/2011 TFG		10/05/2011 GL

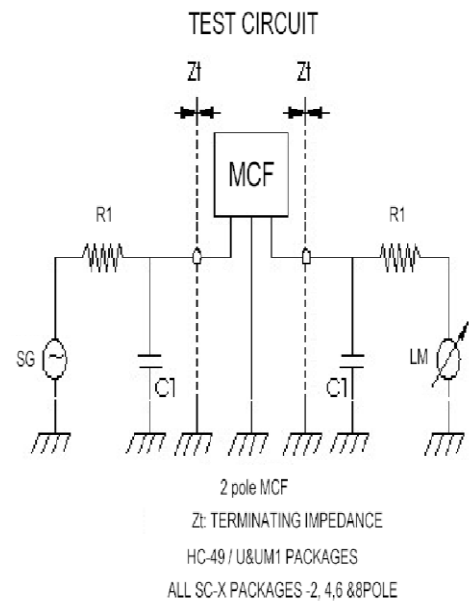
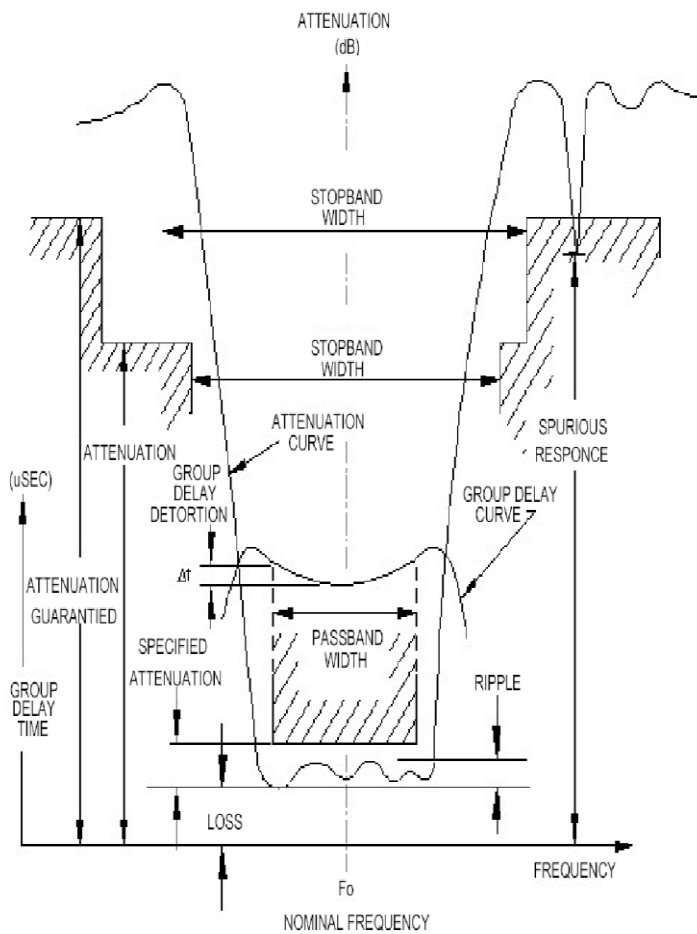
FILTRONETICS Inc

1. Part Number: M10AC3

2. Electrical Specifications:

Center Frequency (Fo)	10.7 MHz
3 dBc Bandwidth:	±3.75 KHz Min
45 dBc Bandwidth:	±8.75 KHz Max
Ultimate Attenuation:	65 dB From Fo ±12.5 KHz to ±300 KHz
Ripple:	2.0 dB Max
Insertion Loss:	3.5 dB Max
Termination Impedance Zt (Z//pF):	1800Ω // 3.5pf
Number of poles:	6
Operating Temperature:	-20°C to +70°C
RoHs Compliant:	Yes

MEASUREMENT DEFINITIONS



3. Mechanical Package:

CASE SC—

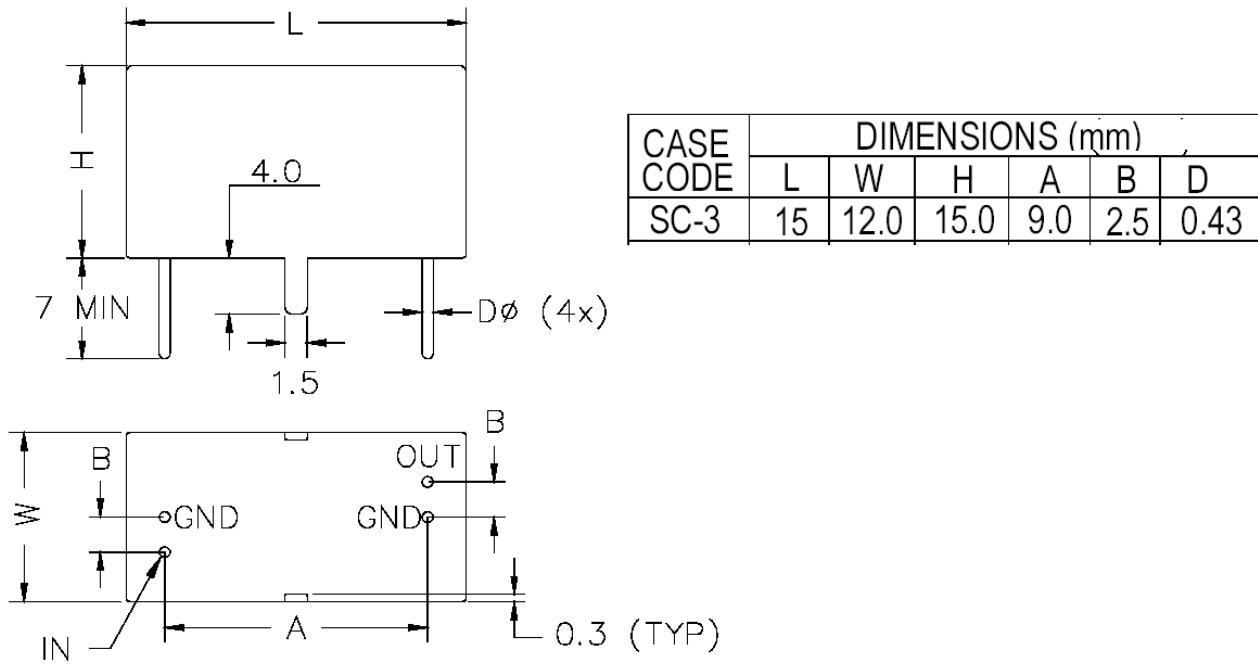


FIGURE M3 CASE SC